



Head Mounted Night Vision Binocular (DTS-31N)



Product Description:

DTS-31N is a high-performance military head mounted night vision binocular built by Detyl Optoelectronics with reference to pvs-31, an active head mounted night vision binocular in the United States. The DTS-31n has the characteristics of super large field of view, high definition, no distortion, light weight, high strength (the overall performance is much better than the original version of the U.S. military products), which is the ideal choice for military night equipment.

Technical specifications:

MODEL	DTS-31N
Generation	Gen 2+/Gen3(optional)
Magnification	1X
Resolution	63-70 lp/mm
FOV (°)	50+/-2 (40 optional)
Diopter	+ / - 5
Capability	Flip-Up On-Off, Side Flip-Up On-Off

Optical distortion	0.5% Max
Automatic Brightness Control	YES
Bright Light Cut-off	YES
Infrared Illuminator	Built-in(850nm 20mW)
IR Indicator	YES
Low Battery Indicator	YES
Power Supply	1x3V(CR123)
Battery Life	60 h - standard/ 300 h - with Battery Pack (optional)
Distance of pupil	30mm
Eyepiece aperture	8mm
Eye distance adjustment range	50-80mm
Operating temperature	-40--+55°C
Relative humidity	5%-95%
Waterproof	IP65/IP67
Dimensions	115mmx178 mm x 85mm
Weight	452g(housing)/523g(finished)

High Quality NVG-DTS-33N



Product Description:

The DTS-33N is a high-performance pure military head-mounted night vision device designed by Detyl Optoelectronics, DTS-33N has a large eyepiece aperture, ultra-long pupil distance, high definition, no distortion, light weight, high strength and other characteristics (the overall performance greatly exceeds similar products of the US military) is the ideal choice for military night equipment.

Technical Specifications:

MODEL	DTS-33N (40°)
Generation	Gen2+/Gen3(optional)
Magnification	1X
FOV(°)	50+/-2 (40 optional)
Resolution	63-70 lp/mm
Diopter	-6~+4 / -3~+5 (Optional)
Capability	Flip-Up On-Off, Side Flip-Up On-Off
Optical distortion	0.5% Max
Automatic Brightness Control	YES
Bright Light Cut-off	YES
Infrared Illuminator	Built-in(850nm 20mW)
IR Indicator	YES

Low Battery Indicator	YES
Power Supply	CR123x1/AAx1
Battery life	30-50H
Optical distortion	<0.5% Max
Eyepiece exit pupil distance	25-40mm
Eyepiece exit pupil diameter	9mm
Eye distance adjustment range	50-80mm
Eye distance locking method	Manual locking(optional)
Operating temperature	-40--+55°C
Relative humidity	5%-95%
Waterproof	IP65/IP67
Dimensions	108x106x83
Weight	325g (housing) /465g(finished)

Night Vision Fusion Goggle

(DT-NH921)



Night Vision Goggle



Product description:

DT-NH9 is a new product developed based on the latest optoelectronic technology. The instrument uses a high-performance second-generation/third-generation image intensifier tubes. There are 3 versions: low-light version, video output version, thermal fusion. The version has excellent performance, small size, light weight, all-metal shell, uniform vision, clear imaging, simple operation, can be equipped with night vision image output, high efficiency, and the night vision can be changed by changing the objective lens (or connecting the magnification lens) The instrument has built-in infrared auxiliary light source and automatic anti-glare protection system. This product has

strong practicability and can be applied to military observation, border and sea defense police, public security surveillance, evidence collection, customs anti-smuggling, etc. at night without lighting. It is an ideal equipment for public security departments, armed police forces, special police forces, and guard patrols.

Technical specifications:

MODEL	DT-NH921	DT-NH921s (Thermal fusion)
Generation	Gen 2+/Gen3(optional)	Gen 2+/Gen3(optional)
Magnification	1X	1X
FOV(°)	42+/-3	42+/-3
Adjustable range of eye distance	65+/-5	65+/-5
Diopter	+/-5	+/-5
Total Darkness IR System	YES	YES
Automatic Brightness Control	YES	YES
Bright Light Cut-off	YES	YES
Infrared Illuminator	Built-in(850nm 20mW)	Built-in(850nm 20mW)
IR Indicator	YES	YES
Low Battery Indicator	YES	YES
Material	Aviation aluminum	Aviation aluminum
Power supply(v)	2.6-4.2V	2.6-4.2V
Battery type(v)	Double A battery(2)	Double A battery (2)+ external battery box
Operating Temperature (°C)	-40/+50	-40/+50
Relative humidity	5%-98%	5%-98%
Waterproof	IP65 (IP67 Optional)	IP65 (IP67 Optional)
Dimensions (mm) (without eye mask)	130x130x56	115x127x69
Wight(g)	356g(housing)/410g(finished)	398g(housing)/468g(finished)
Video output function parameters		

Video acquisition power supply (Optional)	external power source 5V 1W	external power source 5V 1W
video resolution (Optional)	Video 1Vp-p SVGA	Video 1Vp-p SVGA
Thermal imaging module parameters		
Type of sensor :		Unrefrigerated long wave infrared thermal radiometer
Detector resolution :		384x288
Applicable wavelength :um		8-12um
Objective lens focal length:		fixed-focus
Objective aperture:		F1.0
Brightness:		adjustable
Focusing distance:		250mm~∞
Image mode:		White heat/black heat/green bottom/red/hook edge
Detection distance: (1.7M people)		Detection range: 450M Identification range: 350M
Battery:		CR123 (A) x4 2.4~4.2V

Night Vision Fusion Goggles

(DTS-22N)



Product description:

DTS-22n is a high-performance military head mounted night vision binocular built by Detyl Optoelectronics . Low light DTS-22n has the characteristics of super large field of view, high definition, no distortion, light weight, high strength (the overall performance is much better than the original version of the U.S. military products), which is the ideal choice for military night equipmen

Technical specifications:

MODEL	DTS-22N	DTS-22N(Thermal fusion)
Generation	Gen 2+/Gen3(optional)	Gen 2+/Gen3(optional)
Magnification	1X	1X
FOV(°)	50+/-2 (40 optional)	50+/-2 (40 optional)
Diopter	+ / - 5	+ / - 5
Battery type(v)	CR123A(1) / CR23A(4) external battery box	CR123A(1) / CR23A(4)external battery box
Power supply(v)	1.2-1.6/2.5-4.2	1.2-1.6/2.5-4.2
Battery capacity	300-3200maH	300-3200maH
Total Darkness IR System	YES	YES
Automatic Brightness Control	YES	YES
Bright Light Cut-off	YES	YES

Infrared Illuminator	Built-in(850nm 20mW)	Built-in(850nm 20mW)
IR Indicator	YES	YES
Low Battery Indicator	YES	YES
Optical distortion	0.5% Max	0.5% Max
Relative Illumination	>75%	>75%
Distance of pupil	30-35mm	30-35mm
Eyepiece aperture	9mm	9mm
Display resolution	1280x720	1280x720
Thermal image wavelength		8-12uM
Thermal image resolution		384x288
Fusion mode		Optical fusion
Operating temperature(°C)	-40--+55	-40--+55
Relative humidity	5%-95%	5%-95%
Waterproof	IP65/IP67	IP65/IP67
Dimensions(mm)	80x132x81	80x132x81
Wight(g)	360g(housing)/430g(finished)	380g(housing)/450g(finished)

Four Eyes Quad Goggles (DTG-18)



Product Description:

With the new technology, Detyl developed a new Ground Panoramic Night Vision Goggles which called DTG-18N, The purpose of the DTG-18N is to provide the operator more information under goggles, allowing him to more quickly move through the OODA Loop (Observe, Orient, Decide, Act). The most striking feature of the DTG-18N is the presence of four separate image intensifier tubes with four separate objective lenses arrayed in a panoramic orientation. The center two lenses point forward like traditional dual-tube goggles, giving the operator more depth perception, while two more tubes point slightly outward from the center to increase peripheral view. The two tubes on the right and the two on the left are spliced at the eyepieces. The operator sees the two center tubes somewhat overlapping the two outer tubes to produce an unprecedented 120° FOV. This is an absolute game-changer for the SOF community. The two right and two left tubes are housed in merged assemblies and are hung from a bridge, giving operators interpupillary adjustment options. They can also be easily removed and operated as independent handheld viewers. The IPD of the two system can be adjusted on the helmet mount.

The DTG-18N is not only powered by a battery on the device, but also by a remote battery packs, tethered to the unit via a standard DC cable. It comes with a pack that accepts four 3-Volt CR123A batteries that tend to power the unit for 50-80 hours (IR off). The remote battery pack provides a secondary function as a counterweight, which is needed considering the goggle weighs about 880g..

Technical specifications:

Model	DTG-18N
Generation	Gen 2+/Gen3(optional)

Magnification	1X
FOV(°)	120x50 +/-2 ° Horizontal 120+/-2 ° Vertical 50 +/-2 °
Diopter	-1 (+0.5~-2.5)
Capability	Flip-Up On-Off
Automatic Brightness Control	YES
Bright Light Cut-off	YES
Infrared Illuminator	Built-in(850nm 20mW)
IR Indicator	YES
Low Battery Indicator	YES
Battery type	Lithium battery (cr123Ax1) / cr123Ax4 external battery pack
Power supply	2.6-4.2V
Battery capacity	800-3200maH
Optical distortion	0.5% Max
Eye relief	30mm
Pupil diameter	8mm
Operating temperature(°C)	-40--+55°C
Humidity range	5%-95%
Waterproof	IP65/IP67
Dimensions	150x130x75 mm /155x136x83mm
Weight	495g(housing)/780g(finished)&590g(housing)/880g(finished)

Military Night Vision Monoculars

(DTS-13)



Product Description:

The DTS-13 night vision is a new product developed based on the latest optoelectronics technology with a field of view of 50 degrees. The imaging is clear, the operation is simple. The magnification can be changed by replacing the objective lens. The night vision device has a built-in infrared Illuminator and an auto-gain system. The product has strong practicability and can be used for military observation, border and coastal defense reconnaissance, public security surveillance, evidence collection, customs anti-smuggling, etc. in the night without lighting. It is equipment for public security departments, armed police forces, special police forces, and guarding patrols

Technical specifications:

MODLE	DTS-13
Generation	Gen 2+/Gen3(optional)
Magnification	1X
Resolution (lp/mm)	51-57
S/N (dB)	15-21
Luminous sensitivity (uA/lm)	500-700
FOV(°)	50+/-2 (40 optional)
Diopter	+5/-5

Capability	Flip-Up On-Off
Automatic Brightness Control	YES
Bright Light Cut-off	YES
Infrared Illuminator	Built-in(850nm 20mW)
IR Indicator	YES
Low Battery Indicator	YES
Optical distortion	<0.5%
Pupil distance (mm)	20-45
Battery Voltage	2.6-4.2V
Battery type	CR123(A)x1
Temperature range (°C)	-40/+50
Humidity range	5%-98%
Waterproof	IP65 (IP67 optional)
Dimensions (mm)	110x63x42
Weight (no battery)	171g(housing)/240g(finished)



Head Mounted Night Vision Binocular (DTS-35)



Product Description:

DTS-35 is a high-performance military head mounted night vision binocular built by Detyl Optoelectronics. It has the large field of view, high definition, no distortion, light weight, high strength (the overall performance is much better than the original version of the U.S. military products), which is the ideal choice for military night equipment.

Technical specifications:

MODEL	DTS-35
Generation	Gen 2+/Gen3(optional)
Magnification	1X
FOV(°)	50 +/-1
Automatic Brightness Control	YES
Bright Light Cut-off	YES
Infrared Illuminator	Built-in(850nm 20mW)
IR Indicator	YES

Low Battery Indicator	YES
Battery type	AA battery (AAA x1) / cr23x4 external battery box
Power supply	1.2-1.6V
Installation	Head mounted(standard American helmet interface)
Control mode	ON/IR/AUTO
Battery capacity	800-3200maH
Battery life	40-100H
Optical distortion	0.1% Max
Distance of pupil	20-45mm
Eyepiece aperture	9mm
Diopter adjustment	+ / - 5
Off-axis (mm)	5-10
Eye distance adjustment range	50-80mm
Operating temperature	-40--+55°C
Relative humidity	5%-95%
Waterproof	IP65/IP67
Dimensions	110x100x90
Weight	330g(housing)/480g(finished)

Night Vision Monocular (Gen2+ &3) (DT - NH8XX)



Product description:

DT - NH8XX is based on the latest optoelectric technology research and development of new products, , The instrument adopts the high-performance generation ii/three image intensifier, with excellent performance, small volume and weight ,light, clear imaging, simple operation, high cost performance, and by replacing the objective lens (or connecting multiplier lens). It can change magnification and so on. The product can be connected with digital cameras, cameras and video cameras. cooperate with the gun aiming fixture can hang gun use, also can be used alone. The night vision instrument is equipped with an infrared auxiliary light source and an automatic anti glare protection system. The product practicality is strong, can be suitable Used for night without lighting military observation, coastal defense reconnaissance, public security environment Monitoring, forensics, customs anti-smuggling, etc., the public security department, the armed police force, special police forces, and the guard patrolling the ideal equipment.



Technical specifications:

MODEL	DT-NH821
Generation	Gen 2+/Gen3(optional)
Magnification	1X
Resolution (LP/mm)	50-63
S/N (dB)	15-21
FOV(°)	42+/-3
Capability	Flip-Up On-Off, Side Flip-Up On-Off
Automatic Brightness Control	YES
Bright Light Cut-off	YES
Infrared Illuminator	Built-in(850nm 20mW)
IR Indicator	YES
Low Battery Indicator	YES
Diopter	+5/-5
Material	Aviation aluminum
Power supply	2.6-4.2V
Battery type	CR123(A)x1
Operating Temperature (°C)	-40/+50
Relative Humidity	5%-98%
Waterproof	IP65 (IP67 optional)
Dimensions (mm)	115x69x54(No eyeshade)
Weight (no battery)	220g(housing)/290g(finished)

Night Vision Binocular (Gen2+&3)

(DT - NH8XD)



Product description:

DT - NH8XD is based on the latest optoelectric technology research and development of new products, , The instrument adopts the high-performance generation ii/three image intensifier, with excellent performance, small volume and weight ,light, clear imaging, simple operation, high cost performance, and by replacing the objective lens (or connecting multiplier lens). It can change magnification and so on. The product is connected with a special binocular connector to become a binocular binocular night vision device, and can also be disassembled as two monocular night vision devices. The night vision instrument is equipped with an infrared auxiliary light source and an automatic anti glare protection system. The product has strong practicability and can be applied to military observation, coastal defense reconnaissance, public security surveillance, forensics, customs anti-smuggling, etc. in no illumination environment at night. It is an ideal equipment for public security department, armed police force, special police force and guard patrol.

Technical specifications:

MODEL	DT-NH821D
Generation	Gen 2+/Gen3(optional)
Magnification	1X

Resolution (lp/mm)	50-700
S/N (dB)	15-21
FOV(°)	42+/-3
Capability	Flip-Up On-Off, Side Flip-Up On-Off
Automatic Brightness Control	YES
Bright Light Cut-off	YES
Infrared Illuminator	Built-in(850nm 20mW)
IR Indicator	YES
Low Battery Indicator	YES
Adjustable range of eye distance	65+/-5mm
Diopter	+5/-5
Range of focus (M)	0.25--∞
Material	Aviation aluminum
Power supply	2.6-4.2V
Battery type	CR123(A)x2
Operating Temperature (°C)	-40/+50
Relative Humidity	5%-98%
Waterproof	IP65 (IP67 optional)
Dimensions (mm)	115x127x69
Weight (no battery)	460g(housing)/610g(finished)



Night Vision(Gen2+&3) Riflescope (DT - NS8)



Product description:

DT - NS8X adopted high-performance super second generation image intensifier, making observation clarity greatly improved, in 1 to 2 km distance can distinguish the size of the adult goal. In night vision mode, as long as it can satisfy the light intensity of illumination of 10-3 meter (a faint glow) conditions of use, can be field sniper operation at night. The sight telescope volume is small, light weight, convenient operation, reliable performance, high cost performance. In addition, the aim has automatic anti-glare protection function, very suitable for urban operations. The gun aiming is equipped with independent control of infrared light, which can satisfy different working conditions of army, police operations.

Technical specifications:

MODEL	DT-NS84	DT-NS85
Generation	Gen 2+/Gen3(optional)	Gen 2+/Gen3(optional)
Magnification	4X	5X
Resolution (lp/mm)	45-57	51-64
Diopter	+/-5	+/-5
Detection sensitivity (M)	1500	2000
Distinguish distance (M)	1000	1500

Aperture	55mm	65mm
FOV(°)	11.5	8.5
Distance of pupil	50mm	50mm
Graduation type	Back Light red cursor	Back Light red cursor
Minimum mil	1/6MOA	1/8MOA
Battery type	CR123(A)x1	CR123(A)x1
Battery life (H)	40-50	40-50
Operating Temperature (°C)	-40 /+60	-40 /+60
Relative humidity	5%-98%	5%-98%
Impact resistance	>1000G	>1000G
Waterproof	IP65 (IP67 optional)	IP65 (IP67 optional)
Dimensions (mm)	257x92x90	287x92x90
Weight (no battery)	850g(finished)	920g(finished)

Holographic Sights (DT-QX8)



Product description :

Holographic sights is Sichuan university of electronic science and technology cooperation with Detyl Electronic company based on the United States EOTECH products research and development of a high performance, High precision dual laser holographic sights day and night. It has the advantages of small volume, light weight, easy to use, dual use-day and night, no parallax, and so on, is the best choice of the short weapons quickly aim. Very suitable for public security, customs, armed police special security applications.

Technical specifications:

Optical system	Model	DT-QX81
	Projection method	Full No parallax Reverse projection
	Magnification	1X
	Distance of pupil	Unlimited
	Material	Optical solid glass
	Dimensions	30x23+/-1mm
	Glass coating	Anti-glare (MIL-0-13830A) Antifogging
Graduation cursor	FOV (100mm)	>15°)
	Graduation type	Red, infrared Reverse projection(NV)
	Daytime brightness adjustment	146000:1 20 steps

	Nighttime brightness adjustment	1280:1	10 steps
Power spec.	Battery type	CR123(A)x1	
	Battery life	>550H (daytime mode step 2)	
	Low battery warning	Power Low than 20%,flash cursor	
	Auto shut off	8H/4H no operation auto shut off(can be set)	
Graduation mil	Mil range	+/-40MOA	
	Minimum mil	1/2MOA	
Mechanical	Mounting Fixture	MIL-STD-1913	
	Lock	screw	
	Remounting accuracy	2MOA	
Product-Size	Dimensions	<95x55x65mm	
	Weight(No battery)	<230g	
Environmental adaptation	Environment specification	MIL-STD-810F	
	Waterproof	IP65 (IP67 optional)	
	Temperature(°C)	Operating: -40~+65	Storage: -50~+75

Gen2+ / 3 Night Vision Clip-on System (DT-NSCF)



Product description:

Dt-NSCF adopts high-performance super second generation image intensifier, professional front sight design, good aiming effect at night, all metal body structure, high mechanical strength, small structure, easy to disassemble. With the use of day-time optics sight, it can achieve a good sight effect at night. In night vision mode, field sniper operations can be carried out at night as long as the use conditions of 10-3 lux (with weak light) can be met. The front sight has the advantages of small size, light weight, convenient use, reliable performance and high cost performance. In addition, the preview has the function of automatic anti glare protection, which is very suitable for urban action. It can be equipped with an independent and controllable infrared light supplement device, which can fully meet the different use conditions of military and police operations.

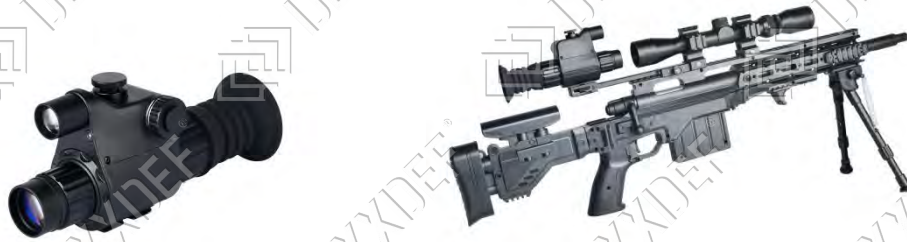
Technical specifications:

MODEL	DT-NSCF1	DT-NSCF3
Generation	Gen 2+/Gen3(optional)	Gen 2+/Gen3(optional)
Magnification	1X	1X
Resolution	45-57 (51-64)	45-57 (51-64)
Objective pupil	22mm	40mm
FOV(°)	40	13.5
Objective adjustment range (m)	3--∞	3--∞
Exit pupil diameter (mm)	25	40
Eyepiece aperture (mm)	22	40
Installation	Special front link bracket	Special front link bracket
Battery type (v)	The 1 section 3V lithium battery	The 1 section 3V lithium battery
Battery life (h)	40-50	40-50



Operating temperature (°C)	-40 /+50	-40 /+50
Relative humidity	5%-98%	5%-98%
Impact resistance	>800G	>800G
Waterproof	IP65/ (IP67optimal)	IP65/ (IP67optimal)
Dimensions (mm)	155x55x68(including eye mask)	246x58x69(including eye mask)
Weight (g)	292g(finished)	335g(finished)

Gen2+ / 3 Night Vision Post Sight (DT-NSCB)



Product description:

The DT-NSCB adopts a high-performance super-second-generation image intensifier, and the special post-aiming device is designed, the aiming effect at night is good, the structure adopts a full-metal body, the mechanical strength is high, the structure is small, and the structure is easy to assemble and disassemble. And the white light aiming device is matched with the white light aiming device, so that a good viewing effect can be achieved at night. In the night vision mode, the night-field sniping can be performed as long as the conditions for the use of the micro-illumination of 10-3 lux (with weak glow) can be met. The invention has the advantages of small specific area, light weight, convenient use, reliable performance and high cost performance. In addition, that front-to-scan has the function of automatic light-proof protection, and is very suitable for city operation. independently controllable The infrared light-supplementing device completely satisfies the different service conditions of the army and the police.

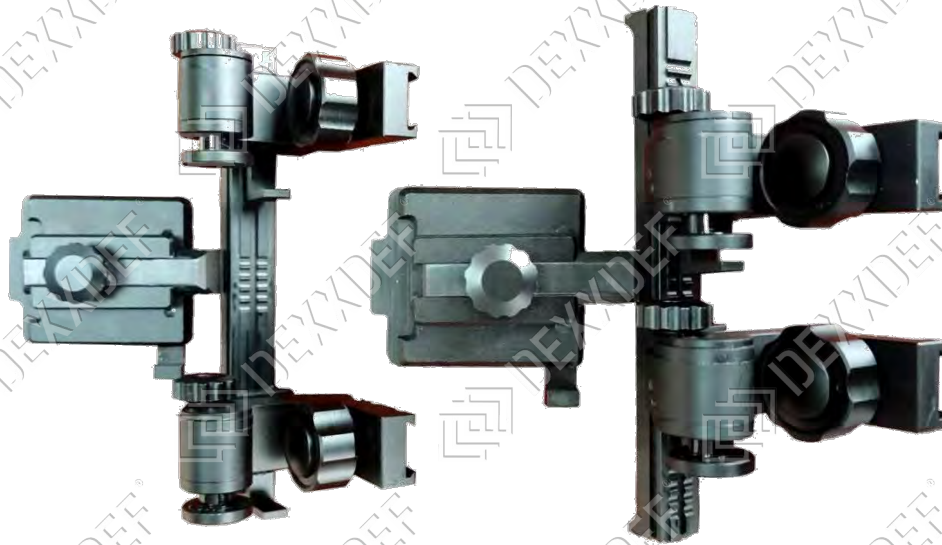
Technical specifications:

MODEL	DT-NSCB1	DT-NSCB3
Generation	Gen 2+/Gen3(optional)	Gen 2+/Gen3(optional)
Magnification	0.85X	2X
Resolution	45-57 (51-64)	45-57 (51-64)
Objective pupil	22mm	40mm
FOV(°)	40	13.5
Exit pupil diameter (mm)	50	50
Distance of pupil	9	9
Eyepiece aperture (mm)	+/-5	+/-5

Battery type (v)	The 1 section 3V lithium battery	The 1 section 3V lithium battery
Battery life (h)	40-50	40-50
Operating temperature (°C)	-40 /+50	-40 /+50
Relative humidity	5%-98%	5%-98%
Impact resistance	>800G	>800G
Waterproof	IP65/ (IP67optinal)	IP65/ (IP67optinal)
Dimensions (mm)	160x55x69(including eye mask)	250x58x70(including eye mask)
Weight (g)	295g(finished)	338g(finished)

Universal Night Vision Helmet Mounts

(DT-HC8D)



Product Description:

This helmet mounts DT-HC8D has independent intellectual property rights and patent protection. The helmet mounts is made of high strength aviation aluminum alloy, complete features, flexible operation, easy to use, durable and other characteristics. With full degrees of freedom adjustable; product 160 degrees, two docking point flip, automatic shutdown check and other functions; can easily realize the traditional monocular to binocular use. The interfaces and functions are interchangeable with a general bulletproof helmet and are particularly suitable for special operations unit headgear.

Technical specifications:

project	name	specifications	remarks
1	Vertical adjustment	+/-10mm	REMARKS
2	Horizontal adjustment	+/-25mm	Lock by thread-off proof Knob
3	Radial adjustment	45-105mm	Self lock by thread-off proof knob
3	Rotate adjustment	+/-12mm	Lock by thread-off proof Knob
4	State detection	2 Ports 160 degrees	Rotate Self lock
5	Material	Two magnetic detection	Logic code operation

6	Dimensions	Aviation aluminum alloy	High precision CNC machining
7	Weight	125x90x70mm	No package
8	Vertical adjustment	150g	No package

1. This product is made of high strength aviation aluminum alloy, the normal working temperature is -60~ + 200 degrees Celsius, do not use in the irrelevant temperature environment, so as to avoid causing damage to the product.
2. The adjustment function of this product has a certain adjustment range, do not forcibly adjust, so as not to exceed the adjustment range and cause product damage.
3. The mechanical strength of this product can fully ensure the normal operation, but the mechanical strength is also limited. Do not use improper strong pulling during the operation, bending and extrusion to avoid permanent damage to the product.
4. When this product is used, or improper use caused damage, do not dismantle, maintenance, please contact the dealer directly.

Dual-band Laser Protection Shield DT-LF2D



Product Description:

This dual-band laser protection shield DT-LF2D product has independent intellectual property rights, and the company has completed many studies and experiments. This dual-band laser protection shield is a high-tech laser protection product made of high-tech multi-layer composite ion coating technology, is the best protective parts for night vision products, for the commonly used laser band, high protection efficiency, targeted, easy installation and use, light and durable characteristics. Especially suitable for highly sensitive micro-light night vision products laser protection needs.

Technical specifications:

project	name	specifications	remarks
1	Types of protective lasers	Two kinds of laser	Red and green laser
2	Protection Laser Wavelength	532+/-10nm	Green laser
3	Protection Laser Wavelength	650+/-10nm	Red laser
3	Protection efficiency	99.95%	Laser frequency cutoff
4	Protection strength	>50mW	Can be irradiated for a long time without damage
5	Protection method	reflection-type	Reflected laser band
6	Transmittance	>95%	Non-laser-band transmittance

7	Protection angle	>+/-, 25 degrees	Removes all rays that may cause damage
8	Mounting/Dimensions	Thread installation M30	Can be installed with different products
9	Product weight	3g	No packaging

1. This product is made of high-precision multilayer composite ion coating technology, the normal working temperature is -40~ + 50 degrees Celsius, do not use in the irrelevant temperature environment, so as not to cause product damage.

2. The effective film layer of this product is the key factor to ensure performance, and damage and pollution will cause great impact on performance. Do not scratch. If there is dirt, please wipe gently with mirror cloth and pure alcohol to avoid damage.

3. The mechanical strength of this product can fully ensure the normal operation, but the mechanical strength is also limited. Do not use improper strong pulling during the operation, bending and extrusion to avoid permanent damage to the product.

4. When this product is used, or improper use caused damage, do not dismantle, maintenance, please contact the dealer directly.



A Focal Lens DT-Z3X & Z5X



Product Description:

The DT-Z3X & Z5X has independent intellectual property rights, high performance large aperture, suitable for night vision products optical image multiplier magnifying lens. This doubling lens adopts high-tech multilayer composite ion coating technology and high-tech optical technology system design simulation technology. It has the characteristics of good imaging quality, very large light flux, high wind multiplier, small volume, light weight and so on. Especially suitable for the optical ratio transformation of microlight night vision products.

Technical specifications:

project	name	Specification: Z3X	Specification: Z5X	remarks
1	Magnification	3X	5X	Objective image magnification
2	pupil	50mm	70mm	Maximum clear aperture
3	distortion	<2%	<3%	Multiplier System Distortion
3	relative illuminance	>70%	70%	Multiplier system relative illuminance
4	transmittance	>99.5%	>99.5%	Monolithic transmittance
5	wavelength range	420-850	420-850	Band pass plus single point
6	lens protection	Waterproof +	Waterproof +	Process only the first side of the

		salt spray	salt spray	lens
7	Installation method	Thread/connecting ring	Thread/connecting ring	Screws directly to the objective thread, also with a coupling ring
8	Product Size	Φ 62x65mm	Φ 72x82	Connection ring and packaging not included
9	product weight	165 grams	228 grams	Connection ring and packaging not included

1. This product is made of high-precision optical glass and aviation aluminum alloy material, the normal operating temperature is -40~ + 50 degrees Celsius, do not use in the irrelevant temperature environment, in order not to cause damage to the product.

2. The effective film layer of this product is the key factor to ensure performance, and damage and pollution will cause great impact on performance. Do not scratch. If there is dirt, please wipe gently with mirror cloth and pure alcohol to avoid damage.

3. The mechanical strength of this product can fully ensure the normal operation, but the mechanical strength is also limited. Do not use improper strong pulling during the operation, bending and extrusion to avoid permanent damage to the product.

When this product is used, or improper use caused damage, do not dismantle, maintenance, please contact the dealer directly.

Helmet Brackets (DT-HC8)



Product description:

Universal helmet assembly DT-HC8 with independent intellectual property have patent protected. The night vision is made from high strength aviation aluminum alloy; the function is all ready, flexible operation, easy to use, durable, etc. Have freedom in all three axis is adjustable; Product 180 degrees, three docking stations, multiple functions such as automatic shutdown check. Its interfaces and function high strength aviation aluminum alloy as are interchangeable with general bulletproof helmets, especially suitable for special operations forces wearing equipment needs.

Technical specifications:

NO.	ITEM	SPECIFICATRIONS	REMARKS
1	Vertical adjustment	+/-10mm	Lock by thread-off proof Knob
2	Horizontal adjustment	+/-25mm	Self lock by thread-off proof knob
3	Radial adjustment	+/-12mm	Lock by thread-off proof Knob
4	Rotate adjustment	3Ports 2x90degrees	Rotate Self lock
5	State detection	Two magnetic detection	Logic code operation
6	Material	Aviation aluminum alloy	High precision CNC machining
7	Dimensions	110x90x70mm	No package
8	Weight	120g	No package

NOTE:



1. This product is refined from high-strength aviation aluminum alloy, the normal working temperature is - 60~+200 degrees Celsius, please do not use in an unsuitable temperature environment, in order to avoid product damage.

2. The regulation function of this product has a certain regulation range. Do not force regulation, so as not to exceed the regulation range and cause damage to the product.

3.. The mechanical strength of this product can ensure normal operation, but the mechanical strength is limited, do not use improper pulling, bending and extrusion in the operation process to avoid permanent damage to the product.

4. This product is in use process, don't disassemble and repair this product during use or when it is damaged by improper use, please directly contact with dealers.

Soft Helmets (DT-PHS8)



Product description:

DT-PHS8 is refer to the soft helmet based on American active duty military, on the basis of the head shape features with Oriental upgrade design use Oriental professional soft helmets. After redesigning products with independent intellectual property rights, have patent protection. This special soft helmet is wearing comfortable, convenient adjustment, the function is all ready, durability and other characteristics, its interfaces and functions are interchangeable with general bulletproof helmets, especially suitable for special operations forces wearing equipment needs.

Technical specifications:

No.	ITEM	SPECIFICATRIONS	REMARKS
1	Mountting Lock	Universal dismantled structure	Same as Bullet proof helmet
2	Dovetail groove	Universal 21mm	Each piece of both sides
3	Back Pasting pylon	Universal Self adhesion	Self adhesive tape
4	Multi-function Back Fixed hole	3xM3	Suitable for screw fixation
5	Head Width adjustment	0-25mm Symmetrically	Self-lock adj. knob
6	Head length adjustment	0-35mm backward	Self-lock adj. knob
7	Head size adjustment	0-65mm Symmetrically	Self-lock adj. knob
8	Strap length adjustment	0-65mm 4ports	Self-lock Clasp
9	Dimensions	235x190x150mm(no package)	250x210x170(Minimum package)
10	Weight	440g (no package)	500g (Minimum package)

NOTE:

1. This product is made of high strength engineering plastic and comfortable environmental protection high-tech fabrics refined but become, normal working temperature of 40 ~ + 80 degrees Celsius, please do not use in an unsuitable temperature environment, in order to avoid product damage.

2. The regulation function of this product has a certain regulation range. Do not force regulation, so as not to exceed the regulation range and cause damage to the product..

3.. The mechanical strength of this product can ensure normal operation, but the mechanical strength is limited, do not use improper pulling, bending and extrusion in the operation process to avoid permanent damage to the product.

4. This product is in use process, don't disassemble and repair this product during use or when it is damaged by improper use, please directly contact with dealers.

IR Illuminator

(DT - TX)



Product description:

DT-TX is designed specifically for the environment and characteristics of the sight. With small volume, light weight, high strength, easy installation and adjustment, uniform light, small power, brightness is adjustable, adjustable launch direction, irradiation distance, and good concealment. This product has no flicker and interference stripes when used in infrared lighting of digital products. Ideal for military, police, outdoor hunting all black environments such as use with night vision sight.

Technical specifications:

MODEL	TX8N	TX9N	TX8W	TX9W
Light type	IR	IR	IR	IR
Wavelength (nm)	850	940	850	940
Angle of irradiation	5°	5°	10°	10°
Light shape	circular	circular	circular	circular
Power(Max)	1.2W	1.2W	1.2W	1.2W
Light quality	Adjustable	Adjustable	Adjustable	Adjustable
Brightness level (Step)	11	11	11	11
Brightness control	Keyboard	Keyboard	Keyboard	Keyboard
Power supply	2.4-4.2V	2.4-4.2V	2.4-4.2V	2.4-4.2V
Battery Type	CR123(A)	CR123(A)	CR123(A)	CR123(A)
Irradiation distance	>300M	>300M	>200M	>200M

Battery quantity	1	1	1	1
Battery life (Step6)	5H	5H	5H	5H
Direction adjust	Up/Dn & R/L	Up/Dn & R/L	Up/Dn & R/L	Up/Dn & R/L
Concealment	Anti red nets	Anti red nets	Anti red nets	Anti red nets
Mounting	Standard fixture	Standard fixture	Standard fixture	Standard fixture
Material	Aviation aluminum	Aviation aluminum	Aviation aluminum	Aviation aluminum
Operating temperature (°C)	-30~+50	-30~+50	-30~+50	-30~+50
Impact resistance	>1000G	>1000G	>1000G	>1000G
Dimensions (mm)	92x41x54	92x41x54	92x41x54	92x41x54
Weight (no battery)	145g	145g	145g	145g
Environment rating	IP65 (IP67 OP.)	IP65 (IP67 OP.)	IP65 (IP67 OP.)	IP65 (IP67 OP.)